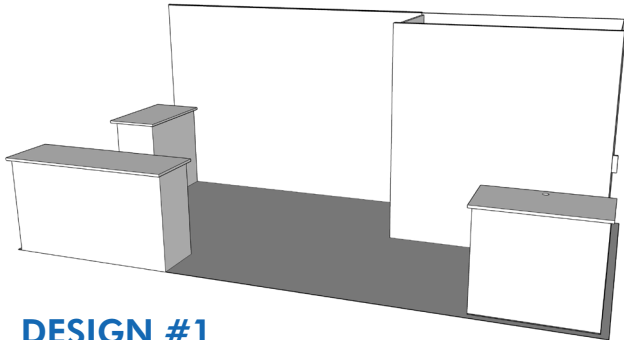
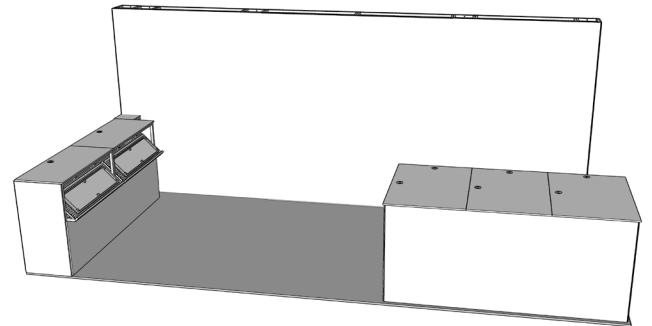


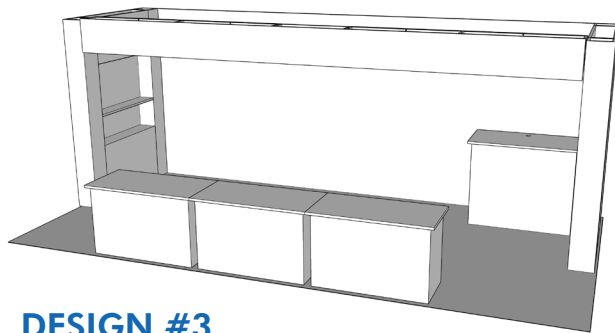
# 10x20 BOOTH DESIGNS



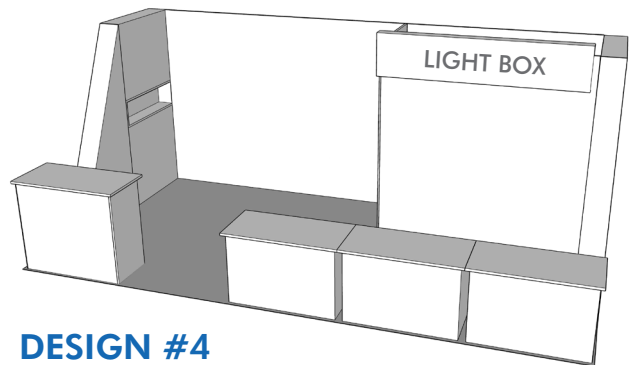
**DESIGN #1**



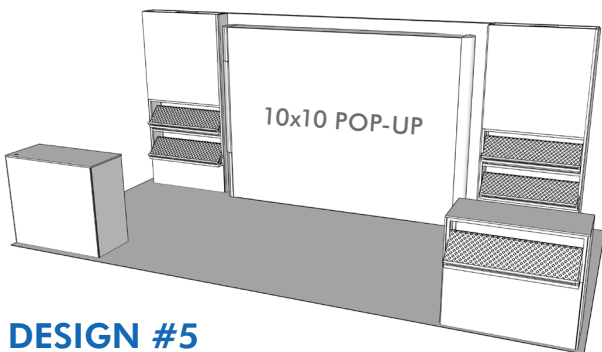
**DESIGN #2**



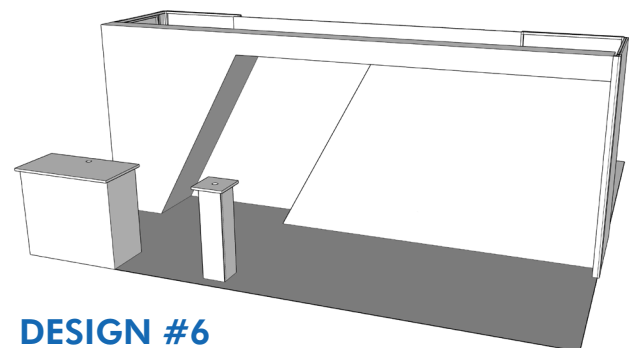
**DESIGN #3**



**DESIGN #4**



**DESIGN #5**  
(Hybrid Pop-Up)



**DESIGN #6**

## MODULAR TRADE SHOW BOOTHS

Choose from an assortment of our standard 10 x 20 booth configurations. Our system is designed for easy assembly/disassembly and convenient packing to reduce shipping costs.



TRADE SHOW



DIGITAL



MARKETING



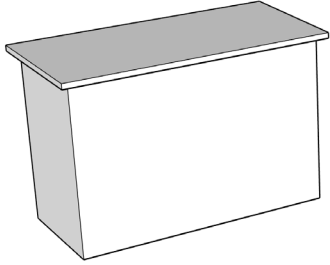
PRINT

**goda**  
ADVERTISING

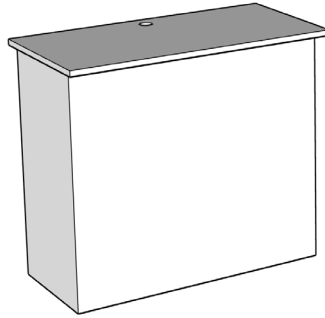
847-776-9900 • [info@goda.com](mailto:info@goda.com)

[www.goda.com](http://www.goda.com)

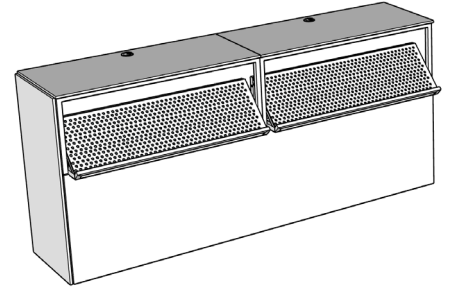
# ACCESSORIES AND OPTIONS



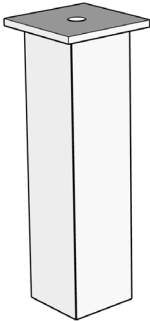
COUNTERS



RECEPTION COUNTERS



ANGLED SHELVES



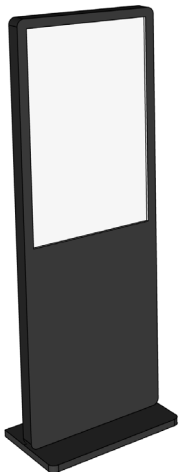
PEDESTALS



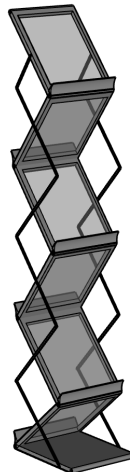
FURNITURE



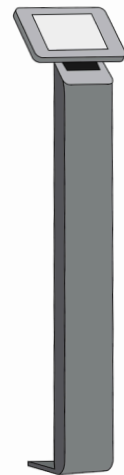
TELEVISIONS



INTERACTIVE KIOSKS



LITERATURE RACKS



IPAD HOLDERS

AND MORE...